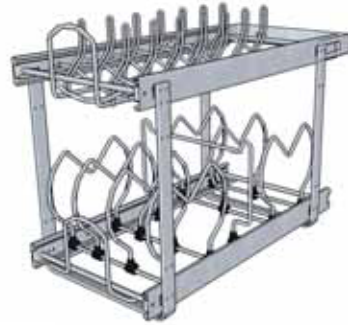
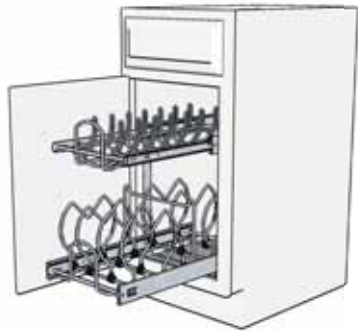




## Two-Tier Cookware Organizer Installation Instructions



NOTE: Two-Tier Cookware Organizer 11-1/2" width opening

### Tools Required:



Phillips head screwdriver



Tape Measure

### Parts List:



1 Qty.  
Upper Slide System



1 Qty.  
Handle  
Support



7 Qty.  
Dividers



1 Qty.  
Lower Slide System



2 Qty.  
U-Shaped  
Support Bracket



1 Qty.  
Adjustable Rear  
Mounting Bracket



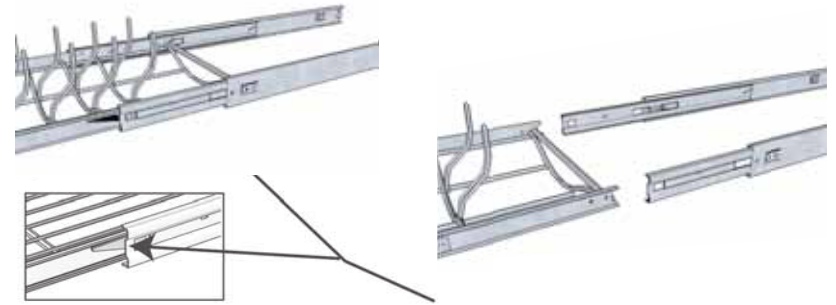
4 Qty.  
3/4" Wood Screws  
To mount unit to cabinet floor



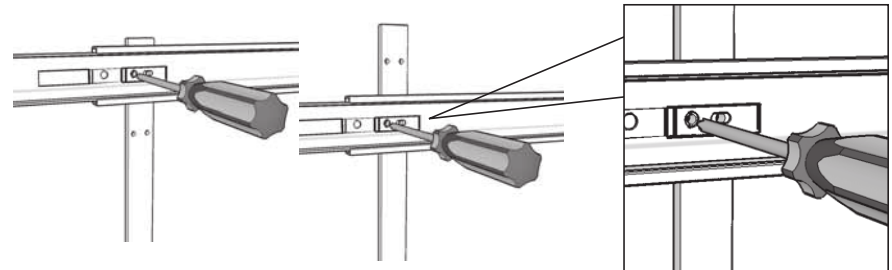
16 Qty.  
Machine Screws  
To mount slides to U-Shape Brackets



3 Qty.  
1/2" Wood Screws  
To mount unit to cabinet back and side



1. Disengage wire baskets from slides by depressing the trigger and pulling slide away from basket. Repeat with all four slides.



Upper Height Location

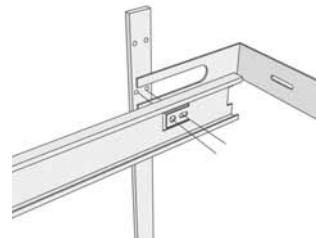
Lower Height Location

Attach left screw (circular hole) first,  
right screw (slotted hole) second

2. Determine height location of upper basket and then attach slides to the FRONT U-shaped support baskets. Hint: Start with the left screw (circular hole) before proceeding with the right screw (slotted hole).

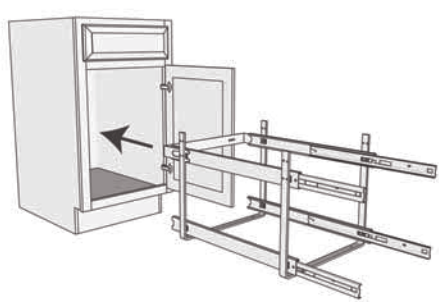
2a. Loosely attach slides to the REAR U-shaped brackets. NOTE: the adjustable rear mounting bracket should be placed between the upper slide and the U-shaped support bracket.

Hint: Start with the left screw (circular hole) before proceeding with the right screw (slotted hole).

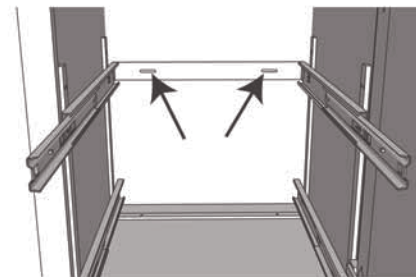
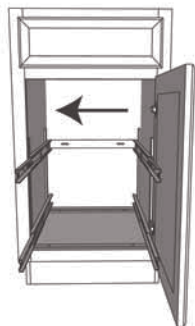


3. Securely attach lower slides to front and rear U-shaped support brackets with machine screws.

Hint: Start with the left screw (circular hole) before proceeding with the right screw (slotted hole).



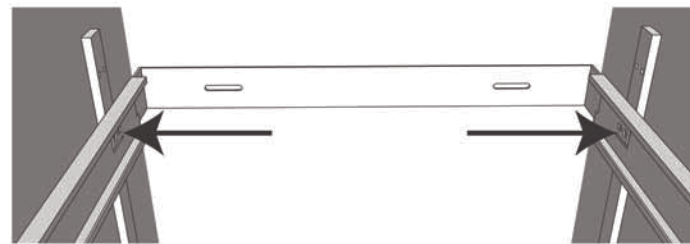
4. Place frame inside cabinet and position frame adjacent to side of cabinet opposite from the hinged door to allow baskets to slide out without obstruction.



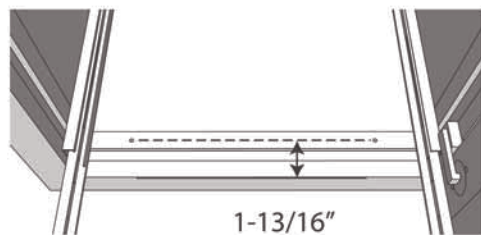
7. Extend rear mounting bracket to back of cabinet and attach with 1/2" wood screws.



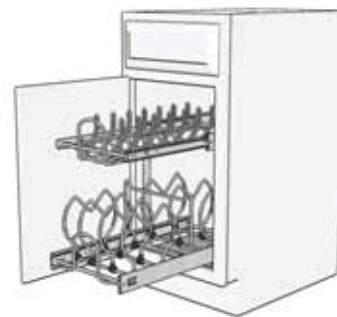
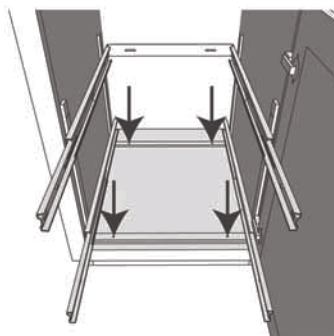
5. Attach slide to face frame (or side wall) of cabinet with front of slide 1/4" back from outside of cabinet as shown with 1/2" wood screw.



8. Securely tighten rear screws of upper slides to U-shaped brackets.



6. Attach U-shaped support brackets to the cabinet floor with the mounting holes 1-13/16" back from outside front of cabinet as shown with 3/4" wood screws.



9. Carefully re-engage baskets into slides.